

- S1 ER3284122
FUNCTION
1-AUX
2-TAPE AMPL
3-TUNER
4-PHONO 1
5-PHONO 2
6-TAPE HEAD
- S2 ER3284119
MODE
1-STEREO
2-BLEND
3-AB B
4-MON A
5-MON B
- S8 ER3284117
TURNOVER
1-TAPE
2-800
3-RIAA
4-LP
5-RIAA
6-78
- S9 ER3284118
ROLLOFF
1-FLAT
2-SUBSONIC
3-RUMBLE
- S10 ER3283938
LOW-CUT
1-FLAT
2-SUBSONIC
3-RUMBLE

- S1A ER3284122
FUNCTION
1-AUX
2-TAPE AMPL
3-TUNER
4-PHONO 1
5-PHONO 2
6-TAPE HEAD
- S2A ER3284119
MODE
1-STEREO
2-BLEND
3-AB B
4-MON A
5-MON B
- S8A ER3284117
TURNOVER
1-TAPE
2-800
3-RIAA
4-LP
5-RIAA
6-78
- S9A ER3284118
ROLLOFF
1-FLAT
2-SUBSONIC
3-RUMBLE
- S10A ER3283938
LOW-CUT
1-FLAT
2-SUBSONIC
3-RUMBLE

VOLTAGE CHART

Line voltage -- 117 V. (Readings taken with Triplett 630 meter, 20,000 ohms/Volt.) All controls in "flat" position, Function switch in "AUX.", Mode in "STEREO", Loudness at minimum, Balance at mid-position, Equalization in RIAA, Blend at minimum.

Readings may vary ±20%.

| | 1 | 2 | 3 | 4 | 5 | 6 | 7 | 8 | 9 |
|----|-----|---|-----|----|-------|-----|---|-----|----|
| V1 | 75V | 0 | .5 | 0 | -11.5 | 100 | 0 | .4 | NC |
| V2 | 125 | 0 | .8 | 0 | -11.5 | 165 | 0 | .7 | NC |
| V3 | 115 | 0 | 1 | 0 | -11.5 | 130 | 0 | 1.7 | NC |
| V4 | 120 | 0 | 1.1 | 0 | -11.5 | 120 | 0 | 1.1 | NC |
| V5 | 100 | 0 | 1.2 | *2 | -11.5 | 110 | 0 | 1.2 | NC |
| V6 | 75 | 0 | .5 | 0 | +11 | 100 | 0 | .4 | NC |
| V7 | 125 | 0 | .8 | 0 | +11 | 165 | 0 | .7 | NC |
| V8 | 115 | 0 | 1 | 0 | +11 | 130 | 0 | 1.7 | NC |
| V9 | 120 | 0 | 1.1 | 0 | +11 | 120 | 0 | 1.1 | NC |

* This reading is dependent upon the filament resistance of the tube and may vary ±1 volt.
NC—means "no connection."

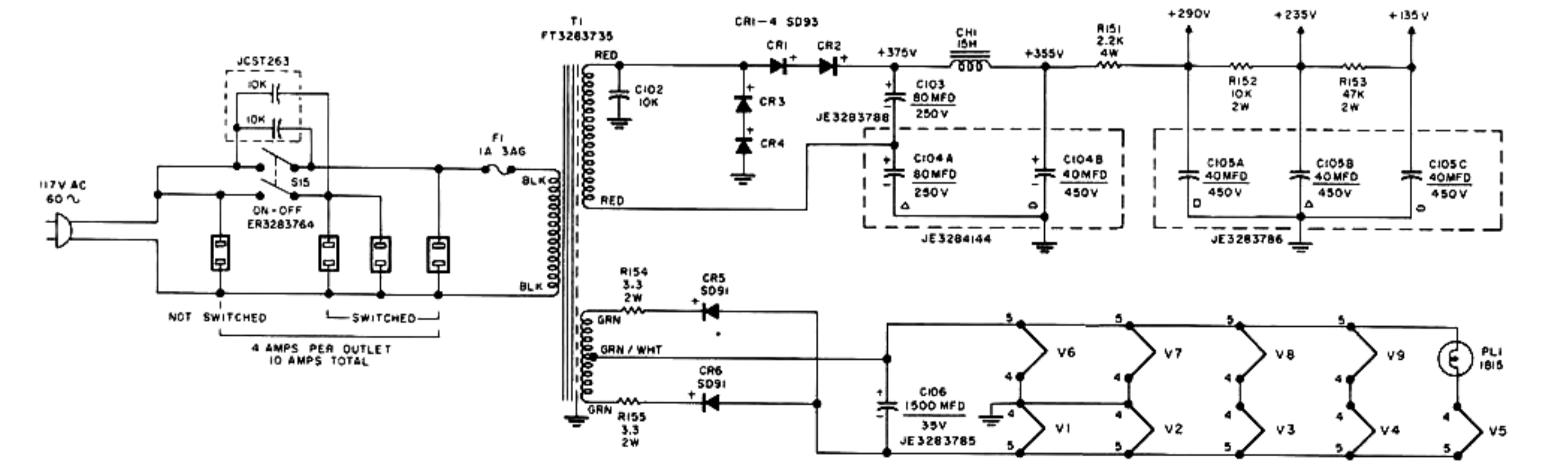
RESISTANCE CHART

Set turned off, all power supply capacitors completely discharged. All controls in "flat" position, Function switch in "AUX.", Mode in "STEREO", Loudness at minimum, Balance at mid-position, Equalization in RIAA, Blend at minimum.

Readings may vary ±20%.

| | 1 | 2 | 3 | 4 | 5 | 6 | 7 | 8 | 9 |
|----|-------|-------|-------|------|------|-------|------|------|----|
| V1 | *260K | 480K | 1.62K | 0 | 4.2K | *100K | 560K | 560K | NC |
| V2 | *220K | 1120K | 1.62K | 0 | 4.2K | *55K | 560K | 560K | NC |
| V3 | *70K | 1130K | 430K | 8.5K | 4.2K | *100K | 5.5M | 1K | NC |
| V4 | *70K | 220K | 430K | 8.5K | 4.2K | *70K | 750K | 430K | NC |
| V5 | *70K | 14.7K | 430K | 8.5K | 4.2K | *70K | 450K | 430K | NC |
| V6 | *260K | 480K | 1.62K | 0 | 4.2K | *55K | 560K | 560K | NC |
| V7 | *220K | 1120K | 1.62K | 0 | 4.2K | *100K | 560K | 560K | NC |
| V8 | *70K | 1130K | 430K | 8.5K | 4.2K | *100K | 5.5M | 1K | NC |
| V9 | *70K | 220K | 430K | 8.5K | 4.2K | *70K | 750K | 430K | NC |

*These readings are measured from the cathode of the selenium rectifier CR2 (-375 volt point). All other readings to ground.
NC—means "no connection."
† Turnover switch must be in RIAA position.
‡ Loudness control must be in minimum position.
§ Bass and Treble switches must be in "flat" position.
¶ Blend control in minimum position.



S3285085A
5399